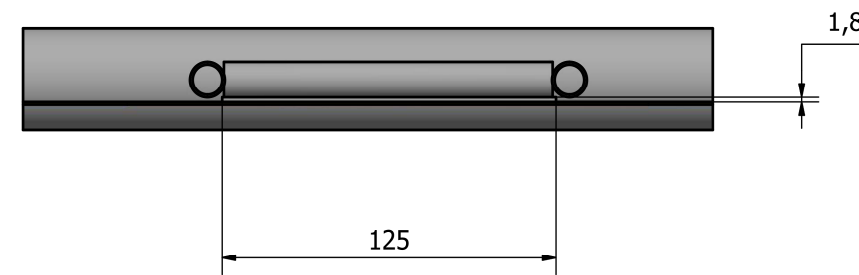
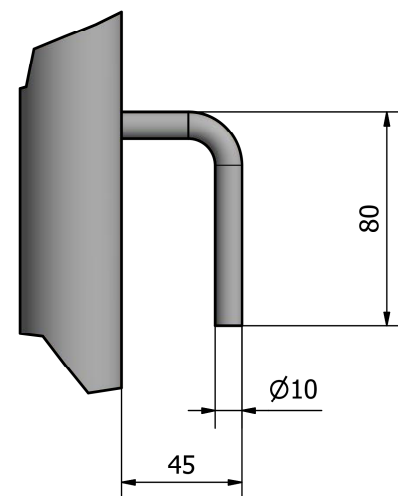


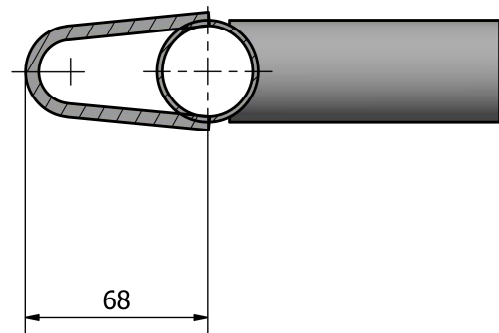
C-C (1:2)



B (1 : 2)



A-A (1:2)



Finish: Hot dipped galvanised	Tolerance : ±5%	Zubehör : Halzink 38x1,2 / 13x1	KK SERVICE S.K.A.
	Weight: 14kg	Drawn : mgr inż. Paweł Hamrol	
		Date: 14-08-2015	CODE : XXX